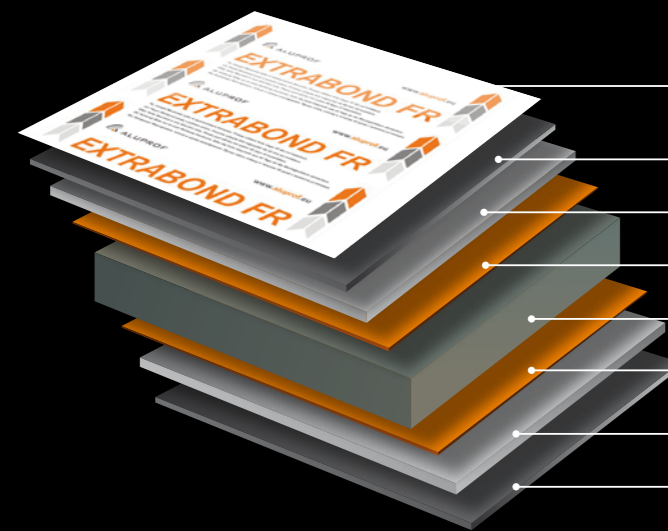




20 YEAR WARRANTY

COMPOSITION OF THE EXTRABOND PANEL



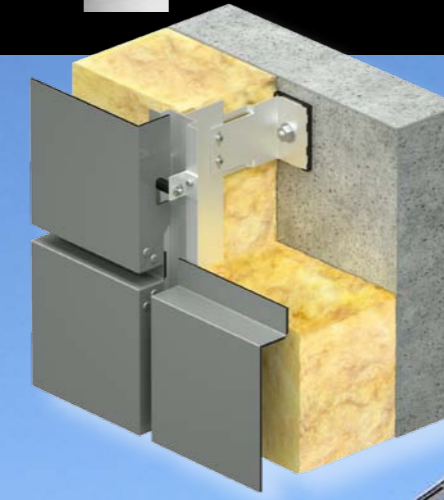
- Protective film (to be removed after mounting)
- Lacquer
- 0.5 mm aluminium layer
- Adhesive
- PE Core/FR Core
- Adhesive
- 0.5 mm lower aluminium layer
- Lacquer

EXTRABOND is a composite panel, consisting of two layers of lacquered aluminum and filled with polyethylene core. Prior to application of the lacquer, the aluminum substrate is properly prepared.

EXTRABOND is a lightweight composite material, with parameters corresponding to a hard and heavy metal panel.

Easy to maintain, **EXTRABOND**, is a vibration-dampening panel of a perfectly smooth surface and exceptional durability.

EXTRABOND



ALUPROF

ALUPROF S.A. Bielsko Biala, Poland
 ul. Warszawska 153, 43-300 Bielsko Biala
 tel. +48 33 81 95 300, fax +48 33 82 20 512

Gk
 Grupa Kęty

www.aluprof.eu

ALUPROF

EXTRABOND

VENTILATED FACADE SYSTEM

EXTRABOND ventilated façade is used to make internal and external cladding in new and/or modernized buildings to give them a modern and aesthetic appearance.

EXTRABOND are highly resistant to weather conditions, UV, corrosion and abrasion. Additionally, the system has properties that reduce noise and allows to limit heat loss. Extrabond panels are available in wide range of colors.

Among the panels available:

- **EXTRABOND** which are characterized by high durability and resistance to weather conditions
- **EXTRABOND FR** are additionally characterized by a higher fire resistance – class B-s1, d0 – material that prevents the spreading of fire, NRO classification.

Depending on to the dimensions of the panels or on the type of the cladding, **EXTRABOND** ventilated facades family can be divided into three types:

- **EXTRABOND Horizontal (EBH)**,
- **EXTRABOND Vertical (EBV)**,
- **EXTRABOND T (EBT)**.

EXTRABOND – a perfect solution for those who look for a system that combines technical parameters with aesthetic requirements.

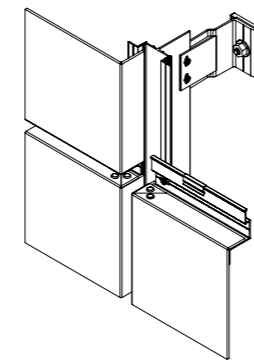
Highly esthetical facades



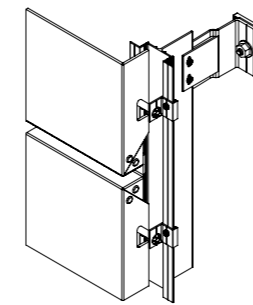
VENTILATED FACADE SYSTEM



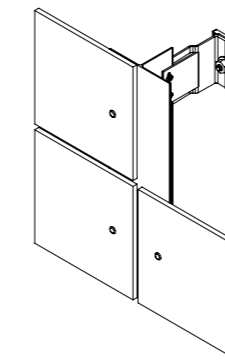
TYPES OF FACADES



Extrabond Horizontal (EBH)



Extrabond Vertical (EBV)

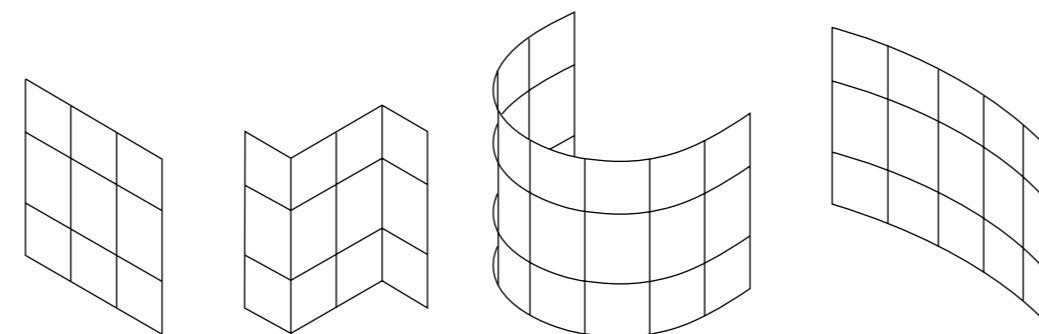


Extrabond T (EBT)

EXTRABOND can be divided into 3 types of façades depending on the dimensions of panels or on the type of cladding:

- Extrabond Horizontal (EBH) – type of ventilated façade designed for aluminium composite panels in horizontal orientation,
- Extrabond Vertical (EBV) – pannels in vertical orientation,
- Extrabond T (EBT) – adapted for mounting fiber-cement pannels of most manufacturers.

OPTIONS AVAILABLE



WHY CHOOSE EXTRABOND

FUNCTIONALITY AND AESTHETICS

- composite panel with a thickness of 4 mm, sheet metal panel of a thickness of 0.5 mm (alloy AW-3005)
- high resistance to weather conditions, UV, corrosion, abrasion and graffiti
- high durability thanks to the robust, light and rigid materials – 20 year warranty
- easy and quick installation, ease of shaping
- rich colors and highly esthetical panels with a totally smooth surface
- fire resistance, sound-proofing and high impact resistance
- low heat and noise transfer coefficient
- this product is environmentally friendly (made from non-hazardous materials, 100% recyclable)

METHODS OF TREATMENT



CUTTING

Cutting of composite panels is made with circular saws, also used in cutting aluminium, jigsaws, vertical and band saws.



GROOVING

Extrabond composite panels are cut with suitable cutters.



DRILLING

For drilling holes, drills for metal are used. Angle: between 100-14. Angle of the spiral: 30-50.



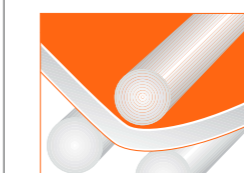
MILLING

The front surface of the panel must not be damaged while maintaining a minimum thickness of the core polyethylene under the V-shaped channel (for the V-shaped channel, the minimum required thickness of the polyethylene is 0.3 mm. For concave and trapezoidal shapes, the thickness is 1 mm).



CUTTING OUT

The V-shaped channels are milled at a distance of 25 mm from the edge. After the cutting, the corners are removed, and the pannel, bent into channels, forms a cassette of a thickness of 25 mm. In order to strengthen the corners of the cassette, the aluminium triangular elements are to be riveted.



ROLL FORMING

Roll forming machines are the best tool for shaping Extrabond panels. To prevent cracking, keep the minimum bending angles. The minimum bending angle is 15 to 20 times the total thickness of the composite panel.